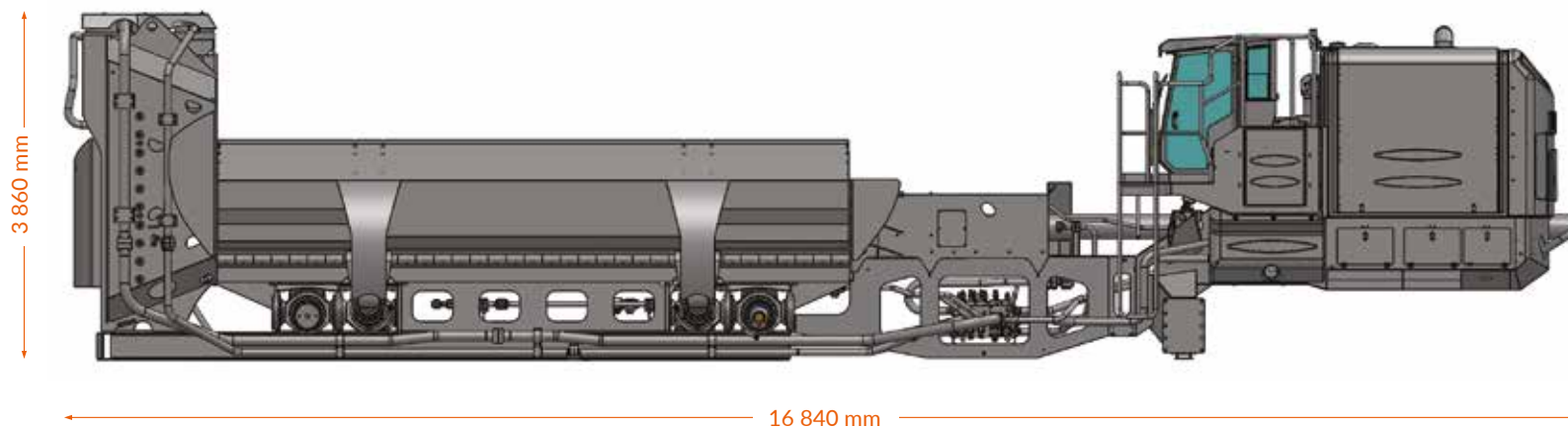




.Konkeror 1000

BOX 967 TS

.1000



SPECIFICATIONS

Cutting force	1000 T
Hold down force	180 T
Box closing force	2 x 350 T
Pusher ram force	180 T
Cutting width	940 mm
Box length	7000 mm

Box section opened	2850 mm
Box section closed	940 x 600 mm
Hydraulic oil tank capacity	2000 l
Diesel tank capacity	1200 l
Total weight	75 T
Diesel power unit	600 hp

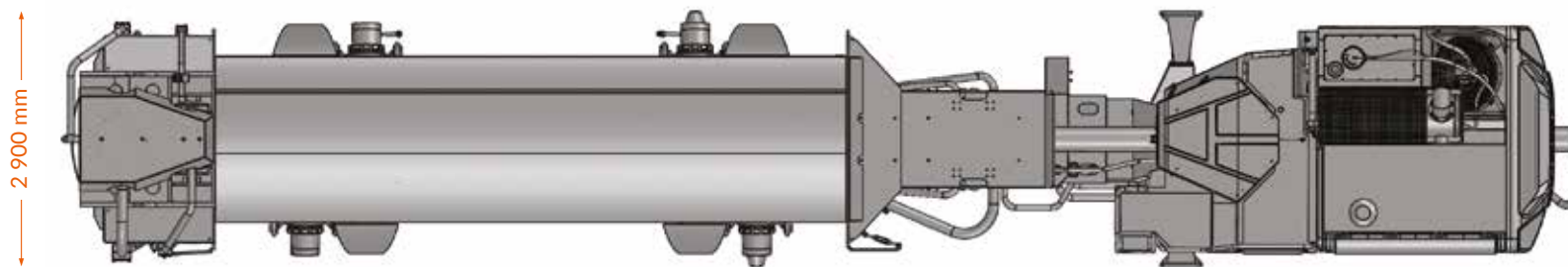
These features are not contractual. LEFORT reserves the right to modify its specifications without any prior notice.

.Contact

LEFORT S.A.
Rue Tahon, 1 a
6041 - Gosselies
Belgium

T. + 32 71 35.16.09
@. info@lefort.com

.Konkeror 1000



.Contact

LEFORT S.A.
Rue Tahon, 1 a
6041 - Gosselies
Belgium

T. + 32 71 35.16.09
@. info@lefort.com