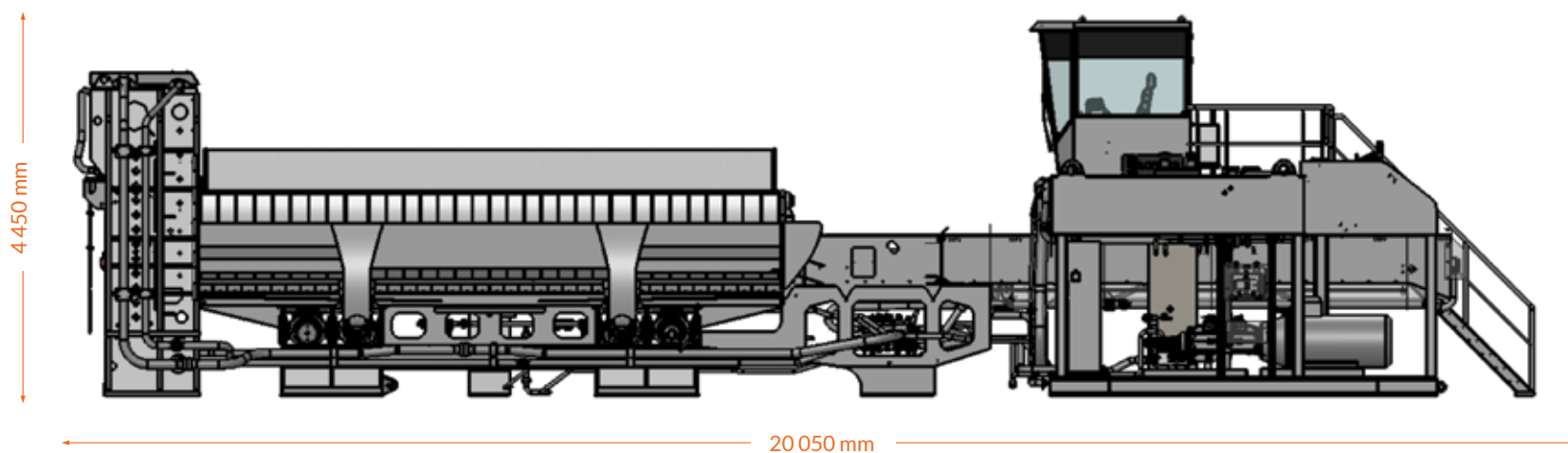




.Koloss 1000 TS

BOX 968 TS

.1000 TS



SPECIFICATIONS

Cutting force	1000 T
Hold down force	240 T
Box closing force	2 x 350 T
Pusher ram force	180 T
Cutting width	940 mm
Box length	8000 mm

Box section opened	2850 mm
Box section closed	940 x 600 mm
Hydraulic oil tank capacity	6000 l
Total weight	115 T
Electric power unit	315kW

These features are not contractual. LEFORT reserves the right to modify its specifications without any prior notice.

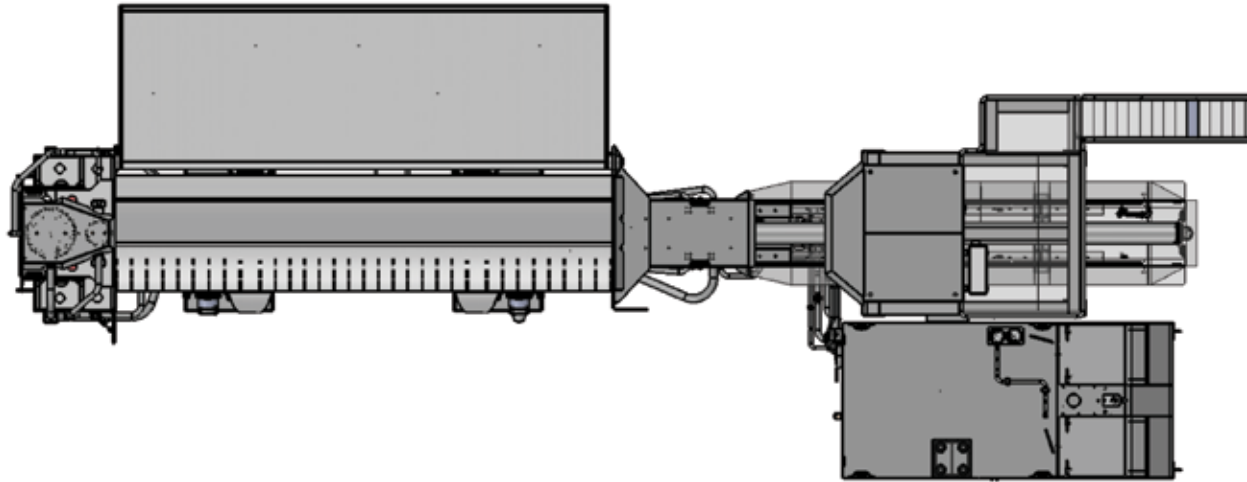
.Contact

LEFORT S.A.
Rue Tahon, 1 a
6041 - Gosselies
Belgium

T. + 32 71 35.16.09
@. info@lefort.com

.Koloss 1000 TS

7 600 mm



.Contact

LEFORT S.A.
Rue Tahon, 1 a
6041 - Gosselies
Belgium

T. + 32 71 35.16.09
@ info@lefort.com