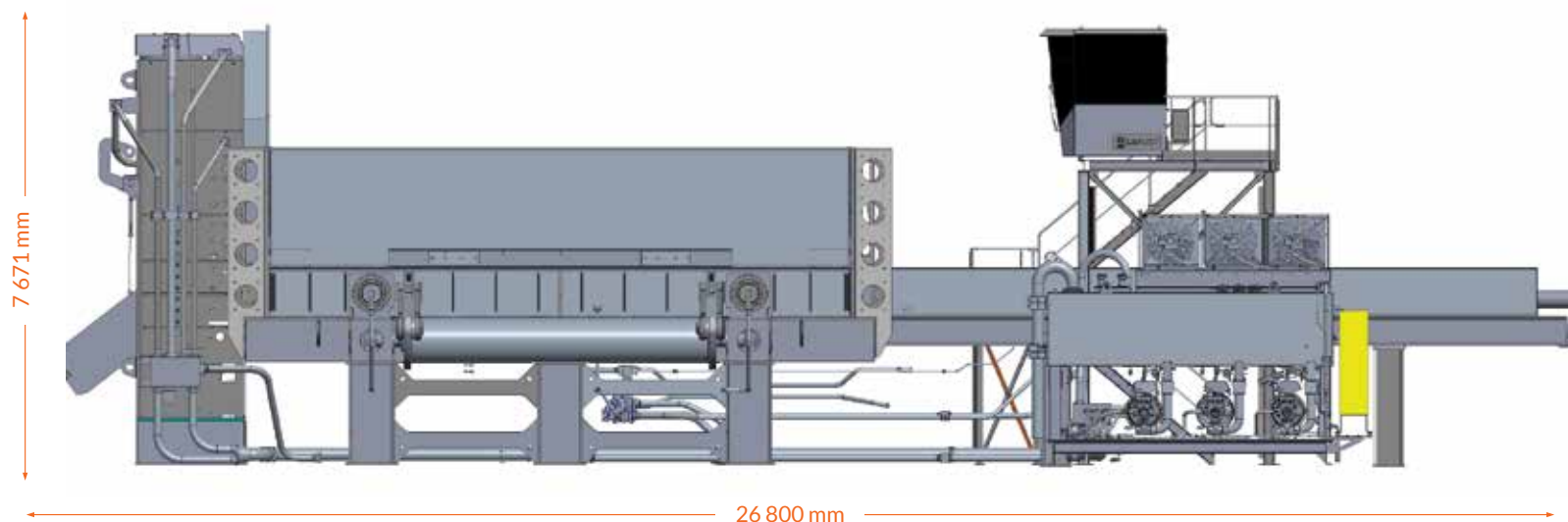




.Koloss 1600 BL

Multi Bloc Side Compression

.1600 BL



SPECIFICATIONS

Cutting force	1600 T
Hold down force	400 T
Lid force	600 T
Side cylinder force	800 T
Pusher ram force	180 T
Box length	10000 mm
Cutting width	1450 mm

Box section opened	2600 mm
Box section closed	1450 x 850 mm
Hydraulic oil tank capacity	10000 l
Total weight	± 430 T
Electric power unit	3 x 200 kW

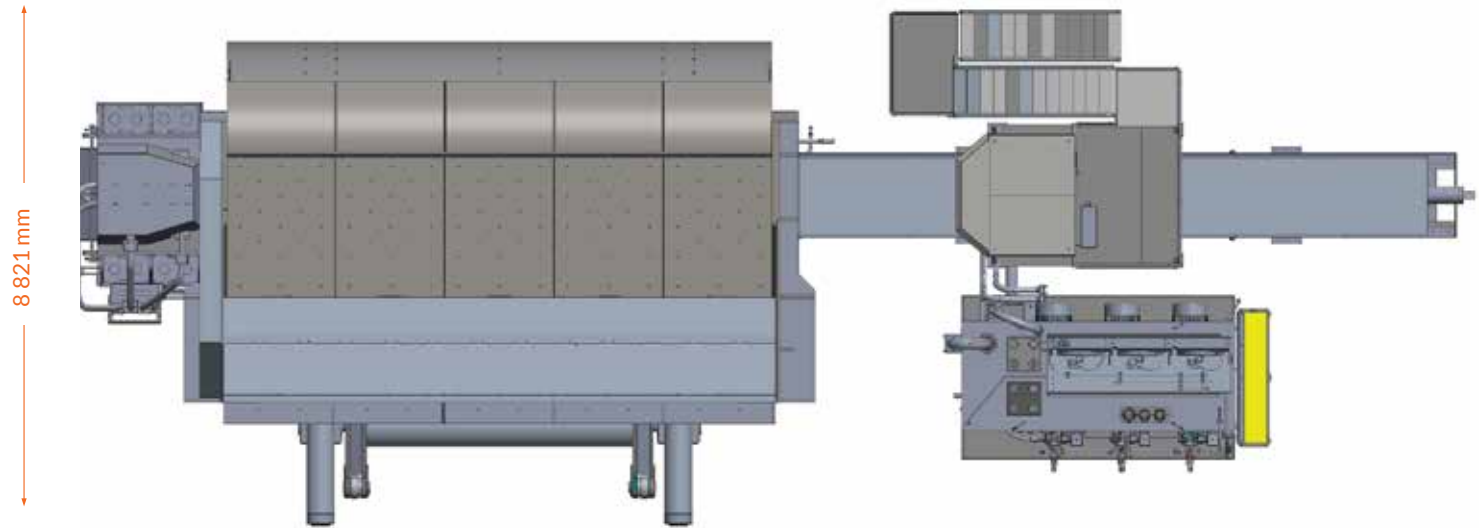
These features are not contractual. LEFORT reserves the right to modify its specifications without any prior notice.

.Contact

LEFORT S.A.
Rue Tahon, 1 a
6041 - Gosselies
Belgium

T. + 32 71 35.16.09
@. info@lefort.com

.Koloss 1600 BL



.Contact

LEFORT S.A.
Rue Tahon, 1 a
6041 - Gosselies
Belgium

T. + 32 71 35.16.09
@ info@lefort.com