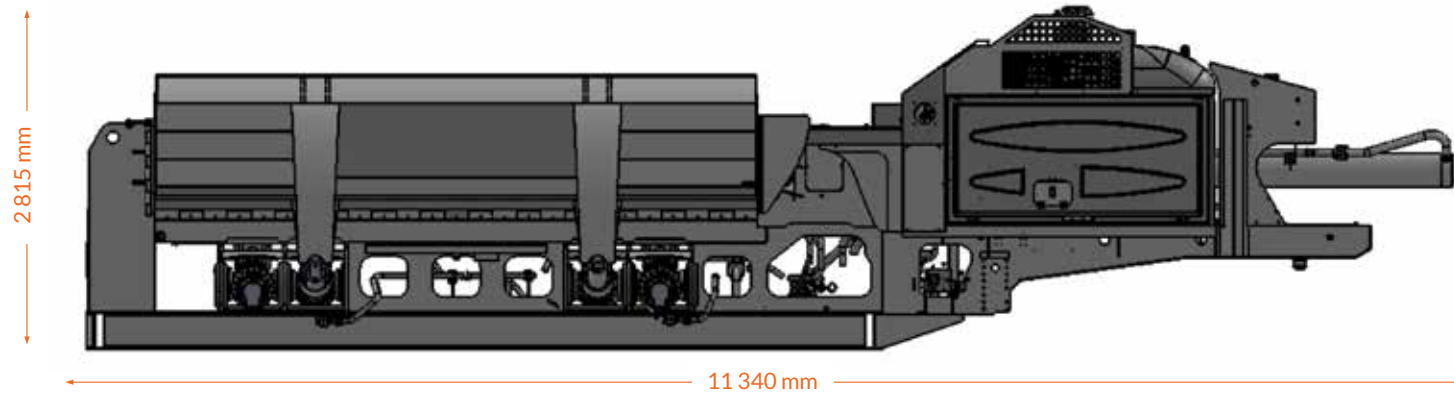




**.P 120**



**SPECIFICATIONS**

Box closing force	2 x 240 T
Pusher ram force	120 T
Box length	5000 mm
Box section closed	800 x 600 mm
Box section opened	2450 mm
Diesel tank capacity	500 l

Hydraulic oil tank capacity	1600 l
Total weight (stationary)	33 T
Diesel power unit	230 hp

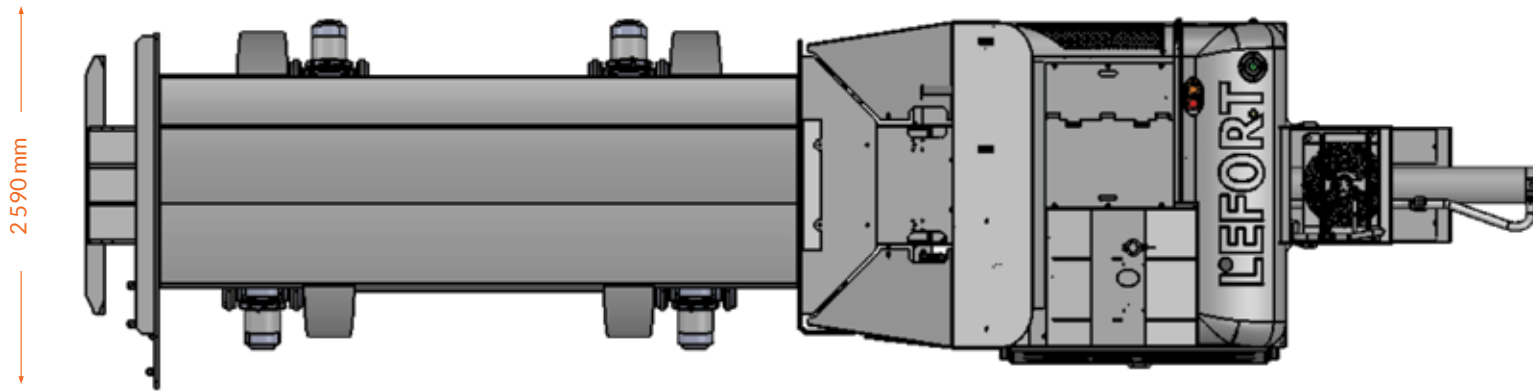
*These features are not contractual. LEFORT reserves the right to modify its specifications without any prior notice.*

**.Contact**

**LEFORT S.A.**  
Rue Tahon, 1 a  
6041 - Gosselies  
Belgium

T. + 32 71 35.16.09  
@. info@lefort.com

# .P 120



## .Contact

LEFORT S.A.  
Rue Tahon, 1 a  
6041 - Gosselies  
Belgium

T. + 32 71 35.16.09  
@ info@lefort.com