



McIntyre

The gold standard in recycling systems

McIntyre

Drum Crushers



McIntyre Drum Crushers

McIntyre fully automatic drum crushers are able to reduce 45 gallon (205 litre) drums down to discs with a thickness of only 100mm (4"), saving you space and cutting your transport and disposal costs.

Choice of machine

Two models are available, able to process all drum types, sealed or topless, up to 45 gallons (205 litres). Both machines are fully automatic and can be adapted to handle smaller drums or tins. The main difference between the two models is the speed at which they operate. The high-speed version has been designed for the processor with a large quantity of drums, and will handle up to 100 x 45 gallon (205 litre) drums every hour. This machine also comes with a separate portable power pack, which can easily be connected to other hydraulic equipment.

The standard machine is designed specifically for the customer with only a limited amount of drums for disposal - although it is still able to deal with up to 25 x 45 gallon (205 litre) drums per hour. The only requirement to run this machine is a level site and a suitable single-phase electrical supply.



Why is this the best for you?

- safe and clean
- easy to use
- versatile
- powerful

Technical Data

High Speed Version

Capacity :	Up to 100 x 205litre (45 gallon) drums per hour
Weight:	1090kg
Working Area Inside Portal	
-Height:	1003mm (39.5")
-Width:	710mm (28")
-Base Plate Height:	280mm (11")
Overall	
-Length without power pack	1320mm (52")
-Height (working)	2770mm (109")
-Width	1220mm (48")
-Height (transporting)	2006mm (79")
-Motor:	10hp (7.5kW) 415volt, 3 ph
Power Pack:	
-Height	1010mm (39.75")
-Length:	825mm (32.5")
-Width:	880mm (34.5")

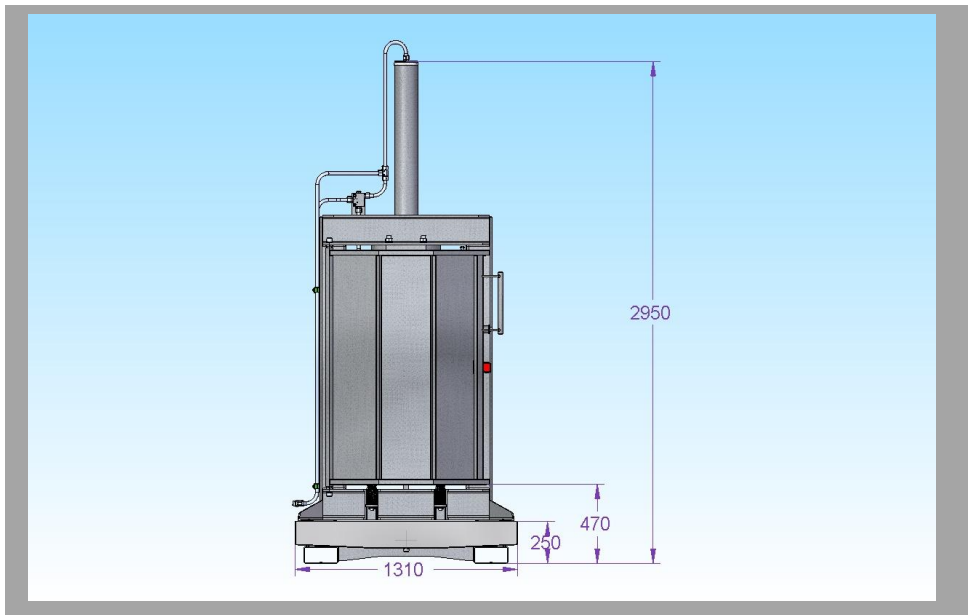
Standard Version

Capacity :	Up to 25 x 205litre (45 gallon) drums per hour
Weight:	827kg
Working Area Inside Portal	
-Height:	1003mm (39.5")
-Width:	710mm (28")
-Base Plate Height:	280mm (11")
Overall	
-Length:	1320mm (52")
-Height (working)	2770mm (109")
-Height (transporting)	2000mm (79")
-Width:	1220mm (48")
-Motor:	2.2kW single phase

While we make every effort to ensure that our information is correct, technical data is for guidance only and subject to change. If any dimension or performance indication is important to you, please check with us before ordering.

© 2014 Copyright JMC Recycling Systems Ltd.
All rights reserved.

McIntyre Drum Crushers



About McIntyre Recycling Systems & Services

McIntyre is the gold standard in recycling systems and services, with 27,000 machines installed worldwide and a reputation for the widest and best-performing range of solutions for metal, waste, cars and aluminium. With scrap metal roots extending back to 1872, we have an unrivalled understanding of the challenges faced by scrap merchants, waste managers, car breakers, manufacturers, foundry managers and others with recycling responsibilities. As a result, the McIntyre name has become synonymous with innovative, problem-solving designs, robust products that deliver the best return on investment, and a knowledgeable, friendly and helpful service.



2 Harrimans Lane, Dunkirk, Nottingham NG7 2SD. UK.
Tel: +44 (0) 115 9409630 • Email: sales@jmcrecycling.com
www.jmcrecycling.com
McIntyre is a JMC Recycling Systems Ltd company

