

GIE



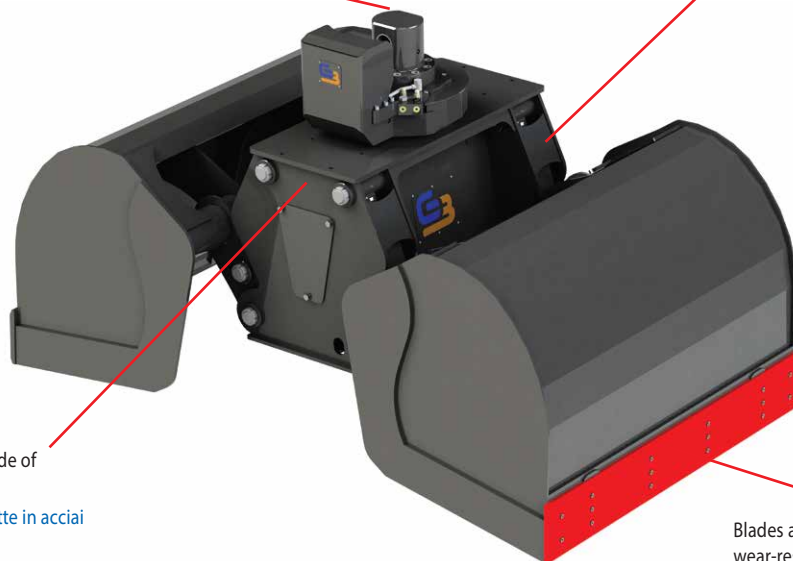
From Ton. 18,0

SAND
SABBIA-TERRA
RUBBLE
MACERIE
GLASS
VETRO
SLUDGE
LIQUAMI



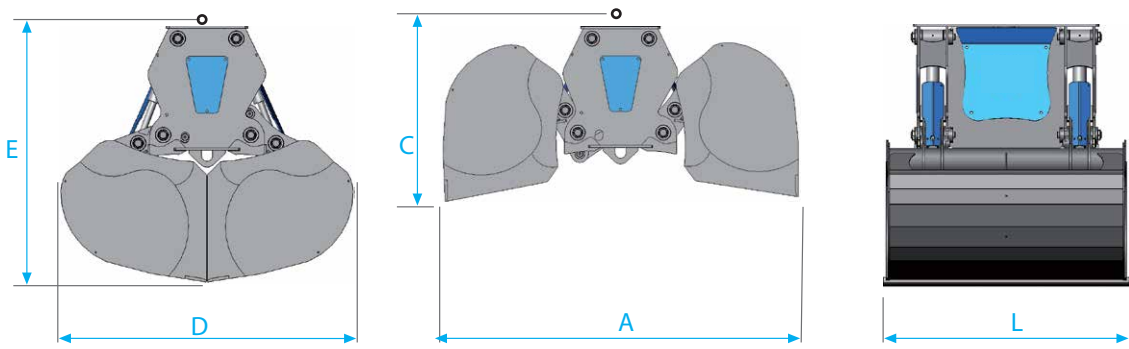
Reduced height due to special GRI Swivel ring rotator.
Altezza ridotta grazie allo speciale rotatore a ralla GRI.

The cylinder has a rod protection
Lo stelo del cilindro e completamente protetto



All the structural parts are made of high-tensile steel
Le parti strutturali sono prodotte in acciai altoresistenziali

Blades are interchangeable and reversible, wear-resistant 500 HB
Lame intercambiabili e reversibili in antiusura 500 HB



Type of link
Attacchi disponibili



| Model Modello | Link type Tipo attacco | Capacity Capacità | Weight Peso | Load Portata | Pressure Pressione | Teeth (on request) Denti (su richiesta) | Cylinders Cilindri | | Dimensions Dimensioni | | | | |
|------------------|---------------------------|----------------------|----------------|-----------------|-----------------------|--|-----------------------|---------|--------------------------|------|------|------|------|
| | | Lt. | Kg. | Ton. | Max Bar | N° | N° | | Ton. | A | C | D | E |
| GIE 1004 | PE | 1000 | 1310 | 6 | 360 | 7 | 4 | From 18 | 2540 | 1243 | 2000 | 1690 | 1000 |
| GIE 1004 | E12 (12 Ton) | 1000 | 1550 | 6 | 360 | 7 | 4 | From 18 | 2540 | 1525 | 2000 | 1968 | 1000 |
| GIE 1004 | E16 (16 Ton) | 1000 | 1582 | 6 | 360 | 7 | 4 | From 18 | 2540 | 1559 | 2000 | 2002 | 1000 |
| GIE 1504 | PE | 1500 | 1785 | 6 | 360 | 7 | 4 | From 18 | 2350 | 1220 | 1850 | 1690 | 1400 |
| GIE 1504 | E12 (12 Ton) | 1500 | 2025 | 6 | 360 | 7 | 4 | From 18 | 2350 | 1469 | 1850 | 1968 | 1400 |
| GIE 1504 | E16 (16 Ton) | 1500 | 2057 | 6 | 360 | 7 | 4 | From 18 | 2350 | 1503 | 1850 | 2002 | 1400 |
| GIE 2004 | PE | 2000 | 1895 | 6 | 360 | 7 | 4 | From 20 | 2500 | 1236 | 2000 | 1760 | 1500 |
| GIE 2004 | E12 (12 Ton) | 2000 | 2135 | 6 | 360 | 7 | 4 | From 20 | 2500 | 1510 | 2000 | 2036 | 1500 |
| GIE 2004 | E16 (16 Ton) | 2000 | 2168 | 6 | 360 | 7 | 4 | From 20 | 2500 | 1544 | 2000 | 2070 | 1500 |
| GIE 3004 | PE | 3000 | 1950 | 10 | 360 | 9 | 4 | From 25 | 2800 | 1247 | 2100 | 1905 | 1750 |
| GIE 3004 | E12 (12 Ton) | 3000 | 2190 | 10 | 360 | 9 | 4 | From 25 | 2800 | 1520 | 2100 | 2180 | 1750 |
| GIE 3004 | E16 (16 Ton) | 3000 | 2222 | 10 | 360 | 9 | 4 | From 25 | 2800 | 1554 | 2100 | 2214 | 1750 |
| GIE 3004 | E25 (25 Ton) | 3000 | 2233 | 10 | 360 | 9 | 4 | From 25 | 2800 | 1590 | 2100 | 2245 | 1750 |
| GIE 4004 | PE | 4000 | 2280 | 10 | 360 | 9 | 4 | From 27 | 2950 | 1260 | 2200 | 1962 | 2100 |
| GIE 4004 | E16 (16 Ton) | 4000 | 2552 | 10 | 360 | 9 | 4 | From 27 | 2950 | 1572 | 2200 | 2272 | 2100 |
| GIE 4004 | E25 (25 Ton) | 4000 | 2660 | 10 | 360 | 9 | 4 | From 27 | 2950 | 1600 | 2200 | 2300 | 2100 |
| GIE 5004 | PE | 5000 | 2810 | 10 | 360 | 9 | 4 | From 30 | 3100 | 1272 | 2350 | 2045 | 2300 |
| GIE 5004 | E25 (25 Ton) | 5000 | 3190 | 10 | 360 | 9 | 4 | From 30 | 3100 | 1615 | 2350 | 2385 | 2300 |
| GIE 6004 | PE | 6000 | 2840 | 10 | 360 | 11 | 4 | From 30 | 3100 | 1272 | 2350 | 2045 | 2600 |
| GIE 6004 | E25 (25 Ton) | 6000 | 3220 | 10 | 360 | 11 | 4 | From 30 | 3100 | 1615 | 2350 | 2385 | 2600 |
| GIE 8004 | PE | 8000 | 3200 | 10 | 360 | 13 | 4 | From 32 | 3100 | 1272 | 2350 | 2045 | 3250 |
| GIE 8004 | E16 (16Ton) | 8000 | 3580 | 10 | 360 | 13 | 4 | From 32 | 3100 | 1587 | 2350 | 2357 | 3250 |



This data are indicative. To choose the correct attachment check also excavator lifting capacities.

Il peso dell'escavatore è indicativo, per abbinare la giusta attrezzatura, è necessario consultare il diagramma delle portate dell'escavatore.

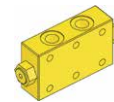
OPTIONS
ACCESSORI



Connecting link for excavators
Staffa basculante per escavatore



Easy link for excavators
Easy link per escavatore



Check valve
Valvola di blocco



Extensions different sizes.
olunghe di varie misure.



Tooth
Denti



Active Control Grip
Controllo attivo della presa



10022 Carmagnola (To) Italy
Via Racconigi, 140
Tel. +39 011 9692684

6662 NG Elst (Gld) Netherlands
Nijverheidsweg 6
Tel. +31 (0)481-374757

info@gusella-bakker.com